

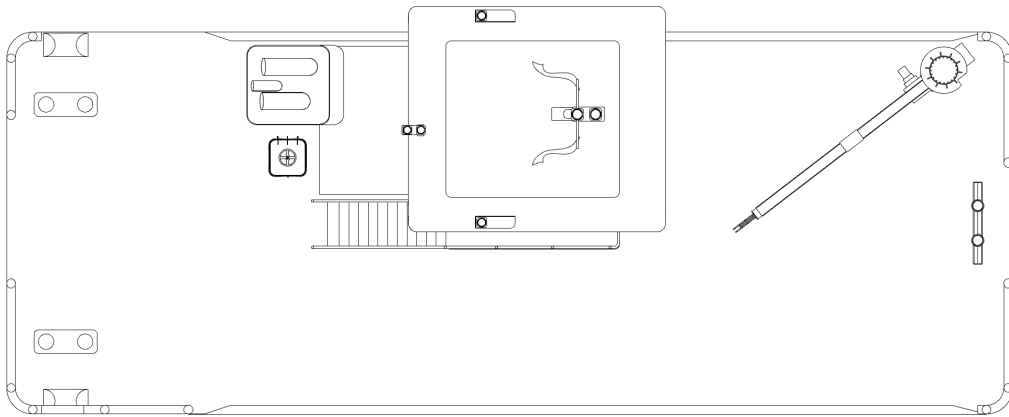
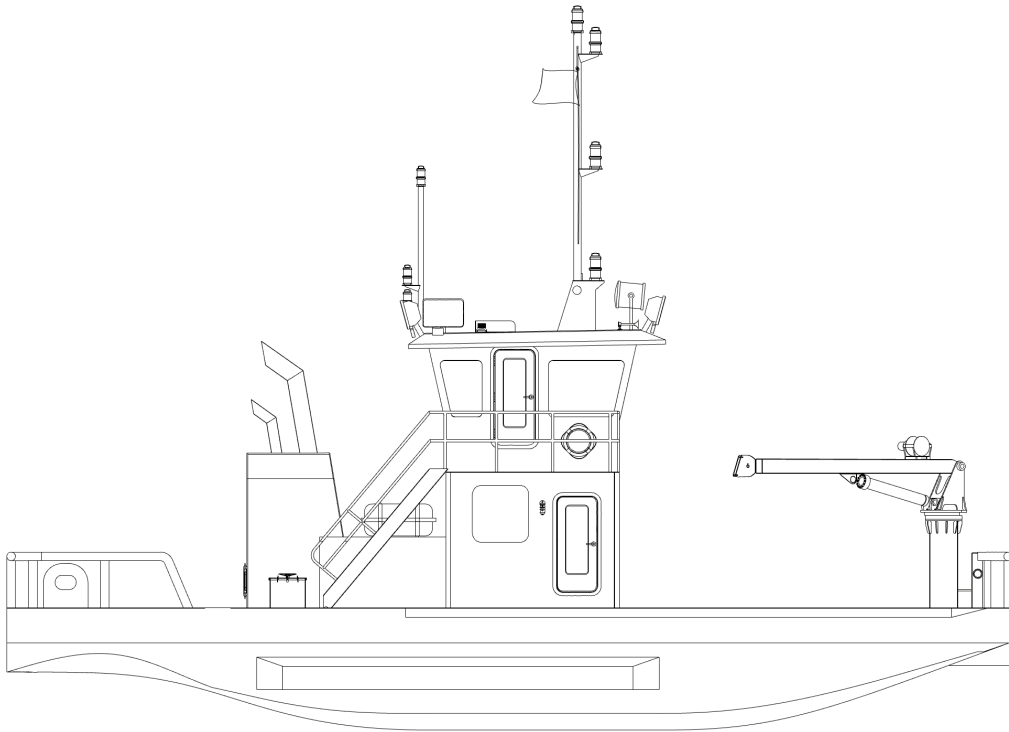


TWB-01304

13m x 4m Workboat

We have the technical experience and the flexibility to design virtually any type of workboat. Our designs perform in any environment, from the shallowest rivers to the deepest oceans. Our integration with Crowley Maritime enables us to leverage the knowledge and resources of one of the most respected names in the maritime industry, with more than 125 years of experience.

Crowley's engineering services team delivers a full range of marine and engineering solutions. This includes detail and conceptual design of 13 Meter Workboats, shipyard management, and on-site consulting services for all types of marine projects anywhere in the world. Our vessel design and marine engineering services are both extraordinary and cost effective. No matter the size and scope of your marine project, our professionals will help you achieve your objectives in the safest and most efficient manner possible.



Vessel Specifications

Overall Dimensions

Length	13.0 m (42'-8")	Fuel Oil	TBD Liters (tbd gal)
Breadth	4.40 m (14'-5")	Fresh Water	TBD Liters (tbd gal)
Depth	1.70 m (5'-7")	Sewage Holding tank	TBD Liters (tbd gal)

206.332.8090

crowley.com/vesseldesign

Seattle, WA • Jacksonville, FL

CROWLEY[®]
People Who Know[®]